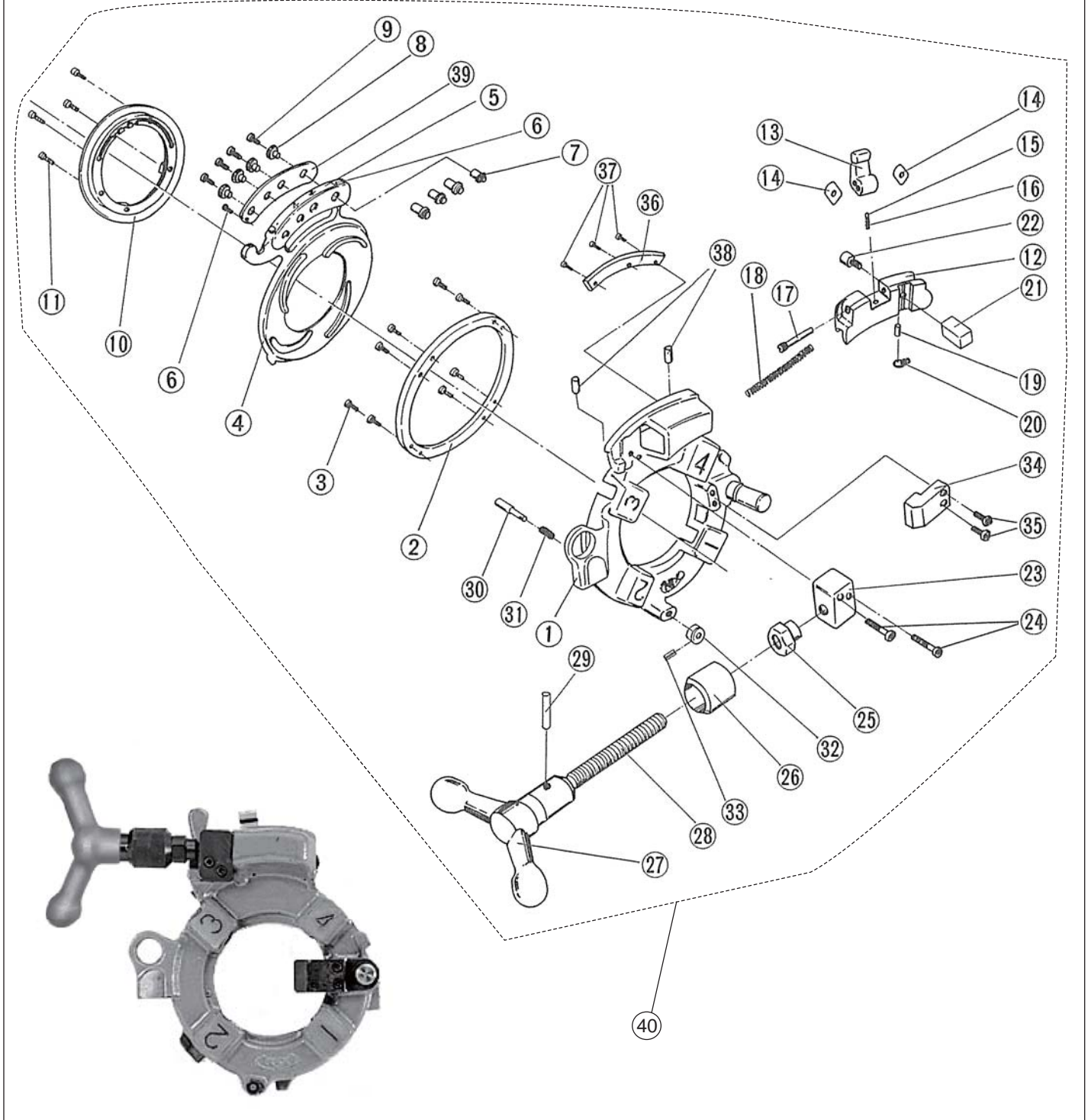


Grooving Die Head 80A (3/4 - 3")

292026 : Grooving 3/4 - 2"
292036 : Grooving 2 1/2 - 3"



REX

Grooving Die Head 20-50A(3/4-2"),80A (2.1/2-3")

2015.11.26

| Exp. No. | Parts No. | Parts Name | Spec. | Q'ty | Remarks |
|----------|-----------|---|-----------------|------|----------------------------------|
| 1 | E400 | Grooving Head Body | 3/4-2" | 1 | Self profiling die head (292026) |
| 1 | E401 | Grooving Head Body | 2.1/2-3" | 1 | Self profiling die head (292036) |
| 2 | 7646 | Die Head Ring | 3/4-2" | 1 | Self profiling die head (292026) |
| 2 | 7647 | Die Head Ring | 2.1/2-3" | 1 | Self profiling die head (292036) |
| 3 | W048 | Socket Head Cap Screw M4x12 | 3/4-2" | 8 | Self profiling die head (292026) |
| 3 | W34A | Socket Head Cap Screw (Countersink) M4x10 | 2.1/2-3" | 8 | Self profiling die head (292036) |
| 4 | E402 | Cam Plate | 3/4-2" | 1 | Self profiling die head (292026) |
| 4 | 7724 | Cam Plate | 2.1/2-3" | 1 | Self profiling die head (292036) |
| 5 | L187 | Size Plate | 3/4-2" | 1 | Self profiling die head (292026) |
| 5 | 7744 | Size Plate | 2.1/2-3" | 1 | Self profiling die head (292036) |
| 6 | WN34 | Rivet | #4x5 | 4 | |
| 7 | 7692 | Die Head Position Pin | 3/4-2" | 4 | Self profiling die head (292026) |
| 7 | 7692 | Die Head Position Pin | 2.1/2-3" | 2 | Self profiling die head (292036) |
| 8 | 7693 | Size Adjustment knob | 3/4-2" | 4 | Self profiling die head (292026) |
| 8 | 7693 | Size Adjustment knob | 2.1/2-3" | 2 | Self profiling die head (292036) |
| 9 | W060 | Socket Head Cap Screw M6x10 | 3/4-2" | 4 | Self profiling die head (292026) |
| 9 | W060 | Socket Head Cap Screw M6x10 | 2.1/2-3" | 2 | Self profiling die head (292036) |
| 10 | N703 | Retaining Ring | 3/4-2" | 1 | Self profiling die head (292026) |
| 10 | 7728 | Retaining Ring | 2.1/2-3" | 1 | Self profiling die head (292036) |
| 11 | W06M | Socket Head Cap Screw M6x16 | 3/4-2" | 4 | Self profiling die head (292026) |
| 11 | W063 | Socket Head Cap Screw M6x20 | 2.1/2-3" | 4 | Self profiling die head (292036) |
| 12 | E405 | Opening Block | 3/4-2",2.1/2-3" | 1 | |
| 13 | 7690 | Size Setting Lever | 3/4-2",2.1/2-3" | 1 | |
| 14 | 7743 | Size Adjustment Plate | | 2 | |
| 15 | 7790 | Knoch pin | | 1 | |
| 16 | 7752 | Knoch Spring | | 1 | |
| 17 | 7742 | Spring Guide | | 1 | |
| 18 | 7697 | Opening Block Spring | | 1 | |
| 19 | WL63 | Roll Pin | 6x18 | 1 | |
| 20 | 7698 | Spring | | 1 | |
| 21 | E408 | Feed Screw Block | | 1 | |
| 22 | W083 | Socket Head Cap Screw | M8x25 | 1 | |
| 23 | E404 | Feed Nut | | 1 | |
| 24 | W065 | Socket Head Cap Screw | M6x30 | 2 | |
| 25 | E406 | Lock nut | | 1 | |
| 26 | E410 | Handle Knob | | 1 | |
| 27 | E712 | Grooving Handle | | 1 | Old No. E704 |
| 28 | E409 | Feed Screw | | 1 | |
| 29 | WL6B | Roll Pin | 6x25 | 1 | |
| 30 | 7694 | Stop Pin | | 1 | |
| 31 | 7702 | Spring | | 1 | |
| 32 | 7695 | Knob | | 1 | |
| 33 | WL34 | Roll Pin | 3x12 | 1 | |
| 34 | E411 | Stop Plate | | 1 | |
| 35 | W06M | Socket Head Cap Screw M6x16 | | 2 | |
| 36 | E407 | Opening Block Stop Plate | | 1 | |
| 37 | W048 | Socket Head Cap Screw M4x12 | | 3 | |
| 38 | W785 | Hex Socket Set Screw | Cup point/M8x18 | 2 | |
| 39 | L200 | Size Adjustment plate | 3/4-1-2" | 1 | Self profiling die head (292026) |
| 39 | L193 | Size Adjustment plate | 2.1/2-3" | 1 | Self profiling die head (292036) |
| 40 | 292026 | Complete Grooving Die Head | GRV 3/4-2" | 1pc. | see Product List 292026 |
| 40 | 292036 | Complete Grooving Die Head | GRV 2.1/2-3" | 1pc. | see Product List 292036 |